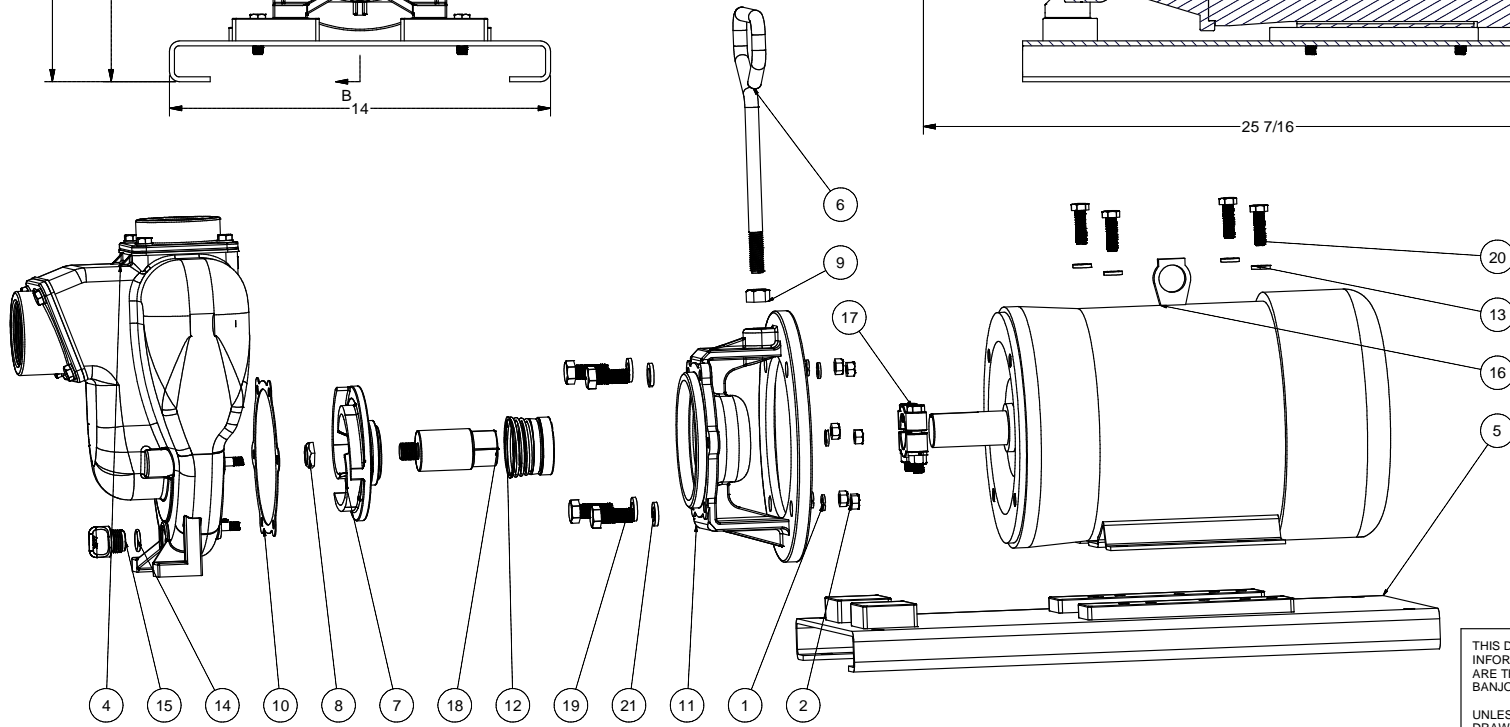


Parts List			
ITEM	QTY	PART NUMBER	DESCRIPTION
1	6	V10118	5/16" LOCKWASHER
2	6	V10119	5/16" HEX NUT
3	1	12910	DECAL (N/S)
4	1	17126	2" PUMP HOUSING ASSY
5	1	17701	BASE PLATE
6	1	15022	2" PUMP HANDLE
7	1	17408	PUMP IMPELLER
8	1	17009B	5/8-18 IMPELLER NUT
9	1	17010	1/2-13 HEX NUT
10	1	17018	PUMP ADAPTER GASKET
11	1	17446	ELEC. MTR ADAPTER
12	1	18125	MECH. SEAL ASSY.
13	4	V20018	3/8" LOCKWASHER
14	1	UV15163	2-114 O'RING
15	1	12777	1/2" DRAIN PLUG
16	1	BEM5	5 HP MOTOR, 3 PHASE
17	1	18129	KEYED CLAMP ASSY.
18	1	17406	ADAPTER SHAFT
19	4	17449	1/2-13 X 1 1/4" HHCS
20	4	17704	3/8-16 X 1 1/4" HHCS
21	4	18058	1/2" LOCKWASHER



THIS DRAWING AND ALL INFORMATION CONTAINED THEREON ARE THE EXCLUSIVE PROPERTY OF BANJO CORPORATION.

UNLESS SPECIFICALLY NOTED, THIS DRAWING AND ITEMS SHOWN ON THIS DRAWING ARE SUBJECT TO CHANGE AT ANY TIME.

BANJO CORPORATION
 150 BANJO DRIVE, CRAWFORDSVILLE, IN 47933
 WEB SITE: WWW.BANJOCORP.COM
 E-MAIL: SALES1@BANJOCORP.COM

DESCRIPTION
2" CI PUMP W/ 3PH, 5HP MOTOR

PART NUMBER
234PIE5